

DIAGRAM 1

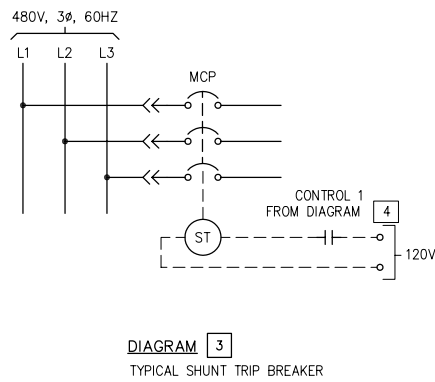


DIAGRAM 3
TYPICAL SHUNT TRIP BREAKER

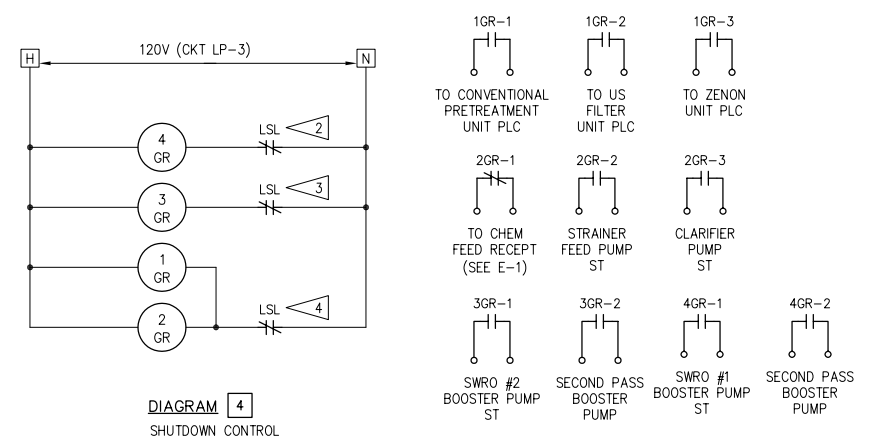


DIAGRAM 4
SHUTDOWN CONTROL

NOTES:

1. PARALLEL 3GR-2 AND 4GR-2.
2. LSL IN MF/UF TANK T-3 (CLOSES ON LOW LEVEL)
3. LSL IN GMF TANK T-4 (CLOSES ON LOW LEVEL)
4. LSL IN SEAWATER HOLDING TANK T-1 (CLOSES ON LOW LEVEL)

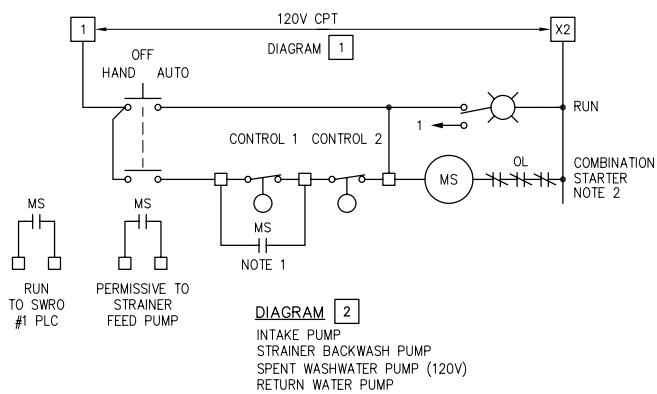


DIAGRAM 2

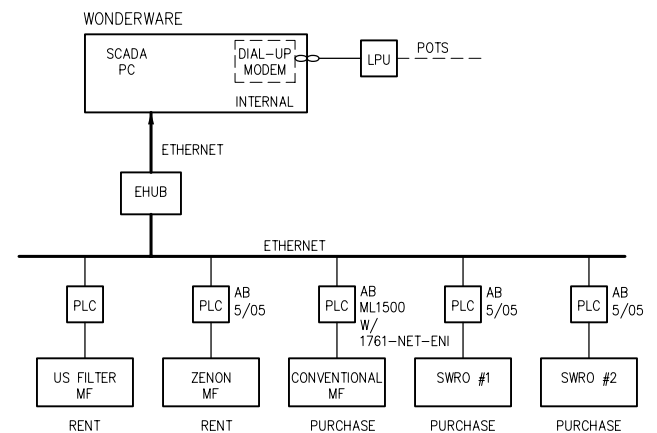
NOTES:

1. SPENT WASHWATER AND RETURN WATER PUMP ONLY.
2. PROVIDE TWO-POLE, SIZE 0 STARTER FOR 120V, SINGLE PHASE, SPENT WASHWATER PUMP.
3. PROVIDE DISCONNECT WHERE SHOWN ON THE SINGLE LINE DIAGRAM.

EQUIP	CONTROL 1	CONTROL 2
INTAKE PUMP	LSHH FROM RW TANK (OPENS ON INCREASING LEVEL)	LSHH FROM SWW TANK (OPENS ON INCREASING LEVEL)
STRAINER BW PUMP	START CONTACT FROM STRAINER CONTROLLER (N.O.)	-
SPENT WASHWATER PUMP (120V)	LSH FROM TANK T-9 (CLOSES ON INCREASING LEVEL)	LSL FROM TANK T-9 (OPENS ON DECREASING LEVEL)
RETURN WATER PUMP	LSH FROM TANK T-8 (CLOSES ON INCREASING LEVEL)	LSL FROM TANK T-8 (OPENS ON DECREASING LEVEL)

LEGEND:
TMB - THERMAL MAGNETIC BREAKER
MCP - MOTOR CIRCUIT PROTECTOR
ST - SHUNT TRIP

EQUIP	CONTROL 1
STRAINER FEED PUMP	INTAKE PUMP (MS "b" CONTACT) OR LSL FROM T-1 (CLOSES ON DECREASING LEVEL)
SWRO #1 BOOSTER PUMP	LSL IN MF/UF FILTRATE TANK, T-3 (CLOSES ON DECREASING LEVEL)
SWRO #2 BOOSTER PUMP	LSL IN GMF FILTRATE TANK, T-4 (CLOSES ON DECREASING LEVEL)
SECOND PASS BOOSTER PUMP	LSL FROM T-3 (CLOSES ON DECREASING LEVEL) OR LSL FROM T-4 (CLOSES ON DECREASING LEVEL)
CLARIFIER PUMP (120V)	LSL FROM T-1 (CLOSES ON DECREASING LEVEL)



SCADA BLOCK DIAGRAM

SUBMITTAL FOR APPROVAL

N:\2004\0468029.00 MMWD Seawater Desalination\E2.dwg
PRINT DATE: Feb. 03, 2005 -- 4:53pm

<p>USE OF DOCUMENTS</p> <p>THIS DOCUMENT, INCLUDING THE INCORPORATED DESIGNS, IS AN INSTRUMENT OF SERVICE FOR THIS PROJECT AND SHALL NOT BE USED FOR ANY OTHER PROJECT WITHOUT THE WRITTEN AUTHORIZATION OF KENNEDY/JENKS CONSULTANTS.</p>	<p>Todd K. Reynolds C59630</p>	<p>DESIGNED TEK</p>	<p>Kennedy/Jenks Consultants Engineers & Scientists in association with CH2MHILL</p>	<p>MARIN MUNICIPAL WATER DISTRICT SEAWATER DESALINATION PILOT PLANT PROGRAM</p>	<p>CONNECTION DIAGRAMS</p>	<p>FILE NAME</p>				
		<p>DRAWN JL</p>		<p>Kennedy/Jenks Consultants 622 FOLSOM STREET, SAN FRANCISCO, CA 94107</p>		<p>JOB NO. 0468029.00</p>				
		<p>CHECKED TIW</p>				<p>DATE 1 Feb. 2005</p>				
	<table border="1" style="width: 100%; border-collapse: collapse;"> <thead> <tr> <th>NO.</th> <th>REVISION</th> <th>DATE</th> <th>BY</th> </tr> </thead> <tbody> <tr> <td> </td> <td> </td> <td> </td> <td> </td> </tr> </tbody> </table>	NO.		REVISION		DATE	BY			
NO.	REVISION	DATE	BY							