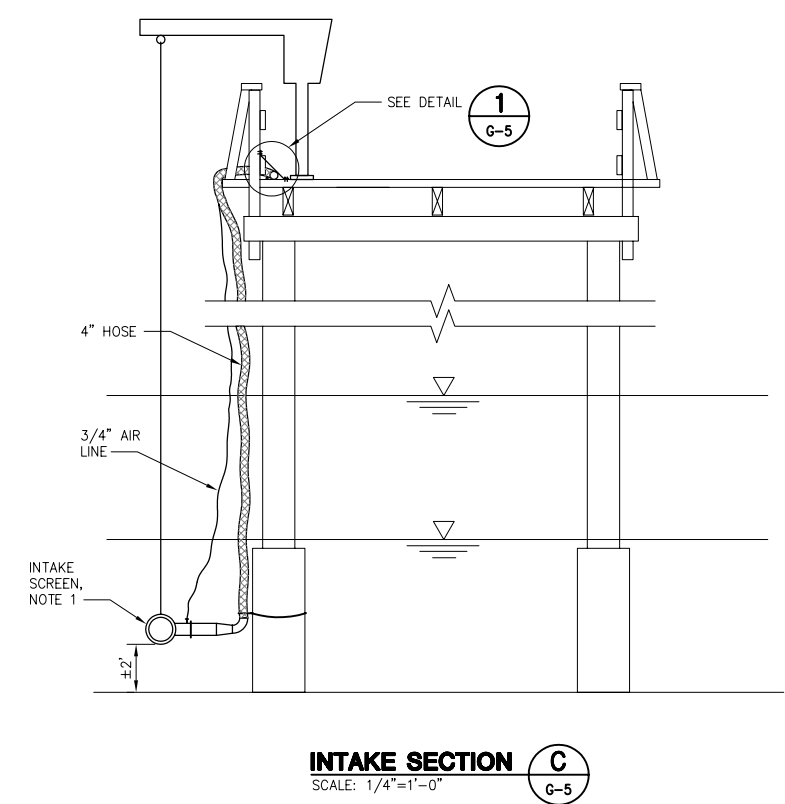
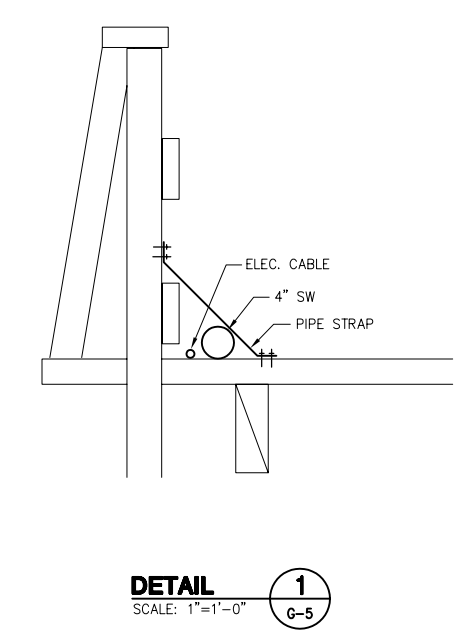


**INTAKE SECTION A**  
SCALE: 1/4"=1'-0"

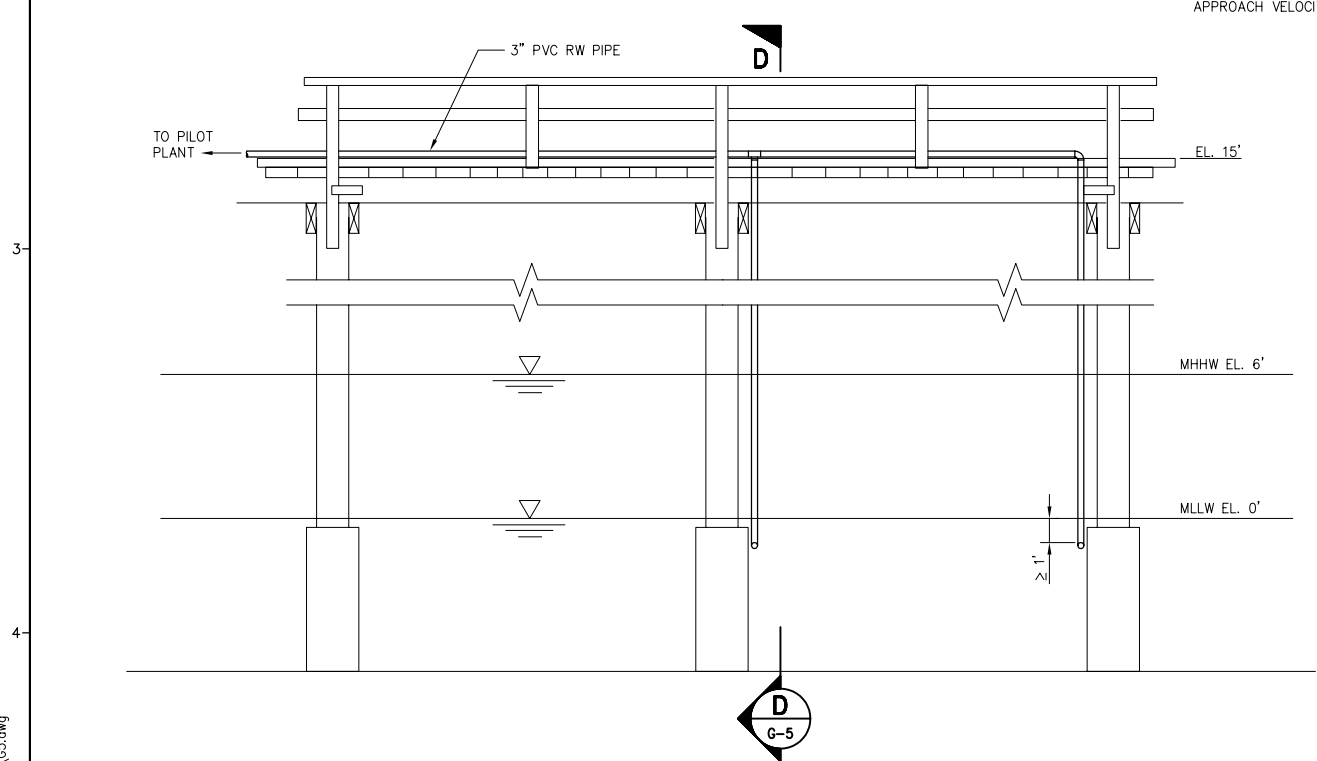


**INTAKE SECTION C**  
SCALE: 1/4"=1'-0"

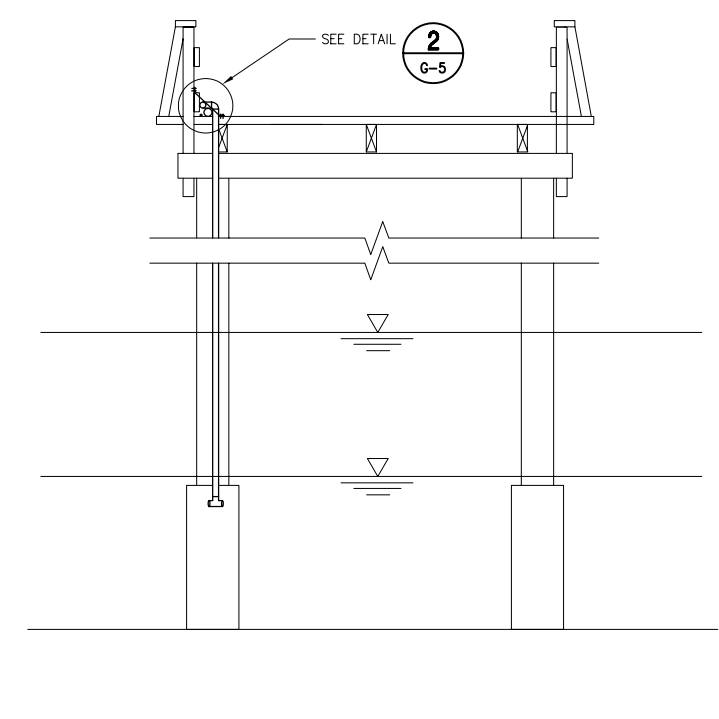


**DETAIL 1**  
SCALE: 1"=1'-0"

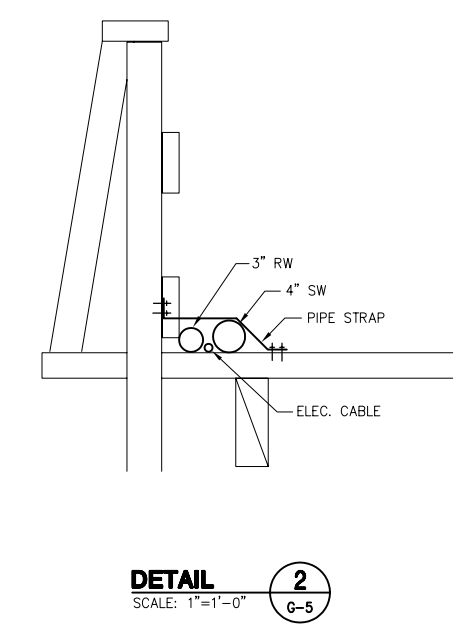
NOTE: 1. SELF-CLEANING INTAKE SCREEN IS 18 INCHES NOMINAL LENGTH, 10.75 INCHES O.D. THE INTAKE IS DESIGNED IN ACCORDANCE WITH CALIFORNIA FISH AND GAME CRITERIA. THE SLOT WIDTH IS 3/32 INCHES AND MAX. APPROACH VELOCITY IS < 0.33 FPS. SCREEN IS CLEANED BY AIR BURST.



**DISCHARGE SECTION B**  
SCALE: 1/4"=1'-0"



**DISCHARGE SECTION D**  
SCALE: 1/4"=1'-0"



**DETAIL 2**  
SCALE: 1"=1'-0"



**SUBMITTAL FOR APPROVAL**

N:\2004\0468029.00 MMWD Seawater Desalination\G5.dwg  
PRINT DATE: Feb. 03, 2005 - 4:56pm

<b>USE OF DOCUMENTS</b>			
THIS DOCUMENT, INCLUDING THE INCORPORATED DESIGNS, IS AN INSTRUMENT OF SERVICE FOR THIS PROJECT AND SHALL NOT BE USED FOR ANY OTHER PROJECT WITHOUT THE WRITTEN AUTHORIZATION OF KENNEDY/JENKS CONSULTANTS.			
<b>Todd K. Reynolds C59630</b>			
NO.	REVISION	DATE	BY

DESIGNED	TKR/PDT
DRAWN	PDT
CHECKED	VF/JL



**MARIN MUNICIPAL WATER DISTRICT**  
**SEAWATER DESALINATION PILOT PLANT PROGRAM**

Kennedy/Jenks Consultants  
622 FOLSOM STREET, SAN FRANCISCO, CA 94107

**PIER SECTIONS AND MISCELLANEOUS DETAILS**

FILE NAME	
JOB NO.	0468029.00
DATE	1 Feb. 2005
SHEET	OF
<b>G-5</b>	