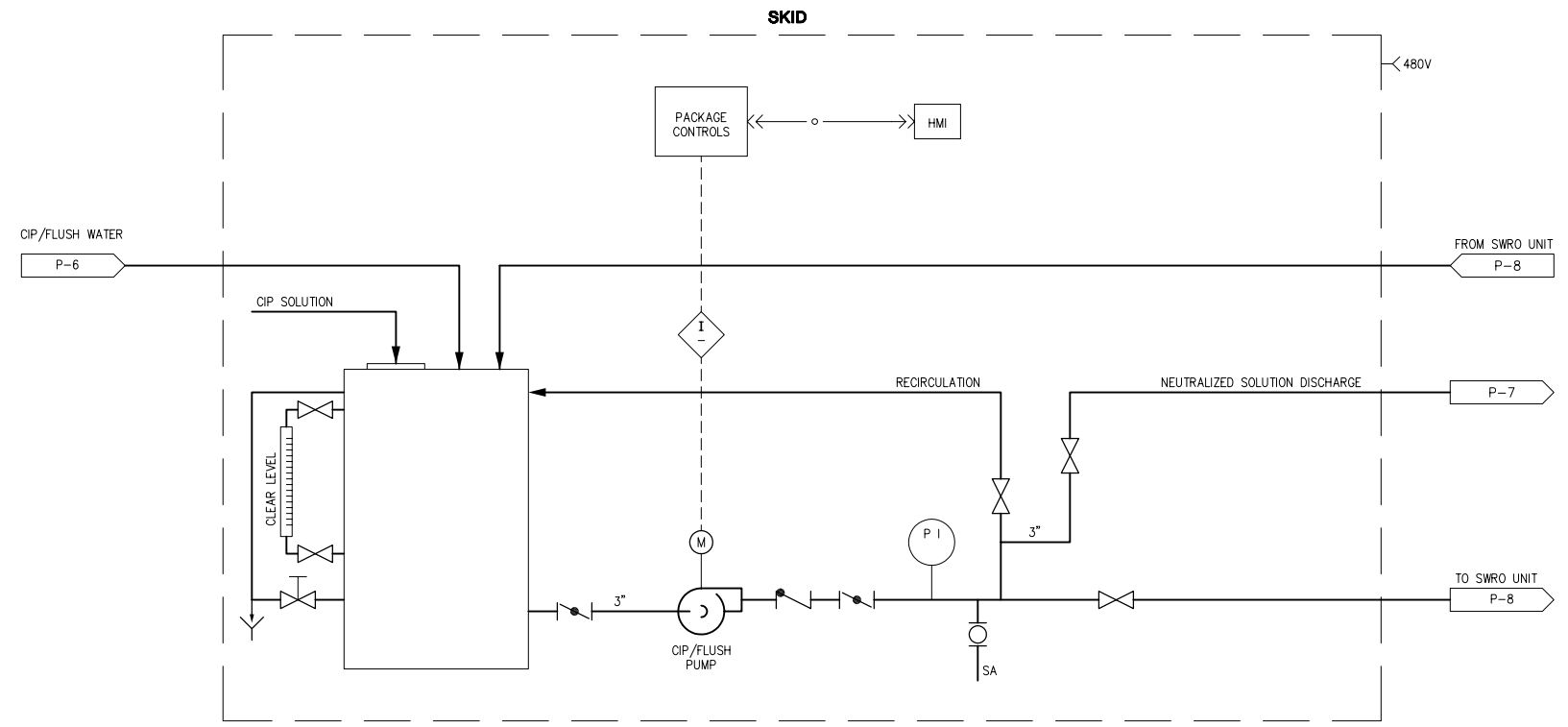


TYPICAL CHEMICAL FEEDER



CIP

- NOTE:
1. CIP PERFORMED THROUGH SWRO CARTRIDGE FILTERS.
  2. CIP IS A MANUAL OPERATION.

SUBMITTAL FOR APPROVAL

N:\2004\0468029.00 MMWD Seawater Desalination\p9.dwg  
 PRINT DATE: Feb. 03, 2005 4:59pm

<b>USE OF DOCUMENTS</b> THIS DOCUMENT, INCLUDING THE INCORPORATED DESIGNS, IS AN INSTRUMENT OF SERVICE FOR THIS PROJECT AND SHALL NOT BE USED FOR ANY OTHER PROJECT WITHOUT THE WRITTEN AUTHORIZATION OF KENNEDY/JENKS CONSULTANTS.	<b>Todd K. Reynolds C59630</b>				DESIGNED TKR	 <b>Kennedy/Jenks Consultants</b> Engineers & Scientists in association with  <b>CH2MHILL</b>	<b>MARIN MUNICIPAL WATER DISTRICT</b> <b>SEAWATER DESALINATION PILOT PLANT PROGRAM</b>		<b>PROCESS AND INSTRUMENTATION DIAGRAM</b> <b>SWRO CIP AND</b> <b>TYPICAL CHEMICAL FEED SYSTEM</b>		FILE NAME
					DRAWN WL/JL		Kennedy/Jenks Consultants 622 FOLSOM STREET, SAN FRANCISCO, CA 94107				JOB NO. 0468029.00
					CHECKED VF						DATE 1 Feb. 2005
	NO.                      REVISION                      DATE                      BY										SHEET OF <b>P-9</b>